

AU23 series



- **Features**
 - CEC Compliance
 - ROHS Compliance
 - UL PLUG
 - Over Voltage Protective Installation
 - Short Circuit Protective Installation
 - Protection Type:Auto-Recovery
 - High Operating Temperature 40°C



● Electrical Specifications

MODEL NO	MAX MPOWER	CHANNEL	OUTPUT VO/IO	LOAD REGULATION	LINE REGULATION	RIPPLE&NOISE
AU23A	16W	USB1	USB1:5.1V/0~1.0A	+/-5%	+/-1%	100mV
		USB2	USB2:5.1V/0~2.4A	+/-5%	+/-1%	100mV
AU23B	25W	USB1	USB1:5.1V/0~2.4A	+/-5%	+/-1%	100mV
		USB2	USB2:5.1V/0~2.4A	+/-5%	+/-1%	100mV

AU23AXY X:Output range Y: Input Plug

NOTE:

1:Ripple&noise is measured by using 20MHz bandwidth limited oscilloscope and terminated each output with a 0.1uf ceramic capacitor ¶llel with 47uF aluminum capacitor at full load and nominal line.

2:Line regulation is defined by changing $\pm 10\%$ of input voltage from nominal line at rated load.

3:Max.Output Power (W) $\geq V_o \times I_o$

● Electrical Specifications

INPUT

- Input Range 100 to 240Vac
- Frequency 50to60Hz
- Input Current $\leq 1.0A$
- Inrush Current $\leq 60A$
- Efficiency 82%Typ.
- Hold Up Time $\geq 8.3mS$
- Turn On Time $\leq 3s$

OUTPUT

- Over Voltage Protection Auto Recovery
- Short Circuit Protection Auto Recovery

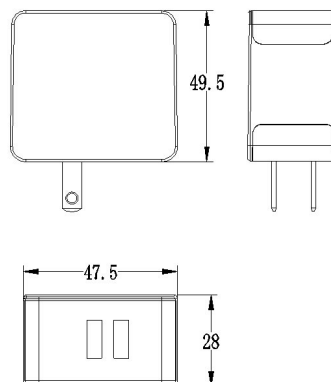
ENVIRONMENTAL

- Operating Temperature 0 to 40°C
- Storage Temperature -20 to 85°C
- Storage Humidity 5% to 95%

SAFETY

- UL/CUL UL 60950,UL60065 TUV/GS EN/IEC60950,EN/IEC60065 PSE, cTUVus, CB, CE, FCC,CCC

● Mechanical Specification



- Case Size:49.5Lx47.5Wx28H(mm)
- Weight::46g

Certificates listed are for reference only. Please contact our sales department for details.