

## AU11 series



### ● Feature

- CEC Compliance
- ROHS Compliance
- UL&CCC PLUG
- Over Voltage Protective Installation
- Short Circuit Protective Installation
- Protection Type:Auto-Recovery
- High Operating Temperature 40°C
- MTBF:>30,000 hours



### ● Electrical Specifications

MODEL NO	MAX POWER	CHANNEL	OUTPUT VO/IO	LOAD REGULATION	LINE REGULATION	RIPPLE&NOISE
AU11	10W	USB1	USB1:5.1V/0~2.0A	+/-5%	+/-1%	100mV

AU11XY X:Output range Y: Input Plug

### NOTE:

1:Ripple&noise is measured by using 20MHz bandwidth limited oscilloscope and terminated each output with a 0.1uf ceramic capacitor &parallel with 47uf aluminum capacitor at full load and nominal line.

2:Line regulation is defined by changing  $\pm 10\%$  of input voltage from nominal line at rated load.

3:Max.Output Power (W)  $\geq V_o \times I_o$

### ● Electrical Specifications

#### INPUT

- Input Range 100 to 240Vac
- Frequency 50to60Hz
- Input Current  $\leq 1.0A$
- Inrush Current  $\leq 60A$
- Efficiency 82%Typ.
- Hold Up Time  $\geq 8.3mS$
- Turn On Time  $\leq 3s$

#### OUTPUT

- Over Voltage Protection Auto Recovery
- Short Circuit Protection Auto Recovery

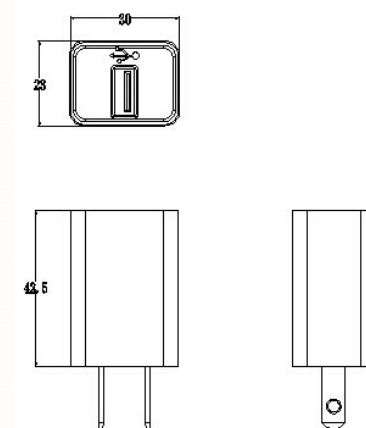
#### ENVIRONMENTAL

- Operating Temperature 0 to 40°C
- Storage Temperature -20 to 85°C
- Storage Humidity 5% to 95%

#### SAFETY

- UL/CUL UL 60950,UL60065 TUV/GS EN/IEC60950,EN/IEC60065 PSE, cTUVus, CB, CE, FCC,CCC

### ● Mechanical Specification



- Case Size:30Lx23Wx42.5H(mm)
- Weight:29g

Certificates listed are for reference only. Please contact our sales department for details.