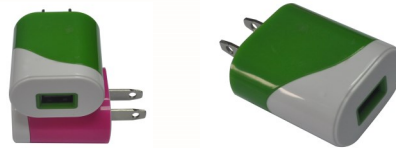


AU18 series



● Feature

- CEC Compliance
- ROHS Compliance
- VDE PLUG
- Over Voltage Protective Installation
- Short Circuit Protective Installation
- Protection Type:Auto-Recovery
- High Operating Temperature 40°C
- MTBF:>30,000 hours



● Electrical Specifications

| MODEL NO | MAX POWER | CHANNEL | OUTPUT VO/IO | LOAD REGULATION | LINE REGULATION | RIPPLE&NOISE |
|----------|-----------|---------|------------------|-----------------|-----------------|--------------|
| AU18 | 12W | USB1 | USB1:5.1V/0~2.4A | +/-5% | +/-1% | 100mV |

AU18XY X:Output range Y: Input Plug

NOTE:

1:Ripple&noise is measured by using 20MHz bandwidth limited oscilloscope and terminated each output with a 0.1uf ceramic capacitor ¶llel with 47uf aluminum capacitor at full load and nominal line.

2:Line regulation is defined by changing $\pm 10\%$ of input voltage from nominal line at rated load.

3:Max.Output Power (W) $\geq V_o \times I_o$

● Electrical Specifications

INPUT

- Input Range 100 to 240Vac
- Frequency 50to60Hz
- Input Current $\leq 1.0A$
- Inrush Current $\leq 60A$
- Efficiency 82%Typ.
- Hold Up Time $\geq 8.3mS$
- Turn On Time $\leq 3s$

OUTPUT

- Over Voltage Protection Auto Recovery
- Short Circuit Protection Auto Recovery

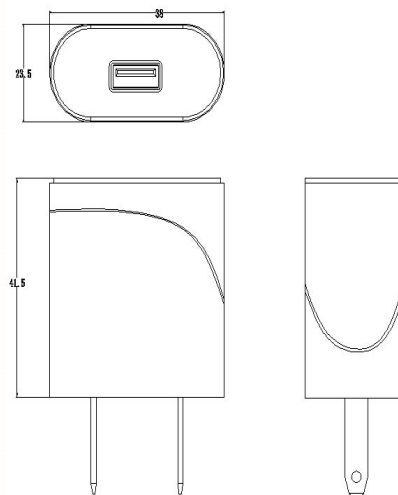
ENVIRONMENTAL

- Operating Temperature 0 to 40°C
- Storage Temperature -20 to 85°C
- Storage Humidity 5% to 95%

SAFETY

- UL/CUL UL 60950,UL60065 TUV/GS EN/IEC60950,EN/IEC60065 PSE, cTUVus, CB, CE, FCC,CCC

● Mechanical Specification



- Case Size:38Lx23.5Wx41.5H(mm)
- Weight:29g

Certificates listed are for reference only. Please contact out sales department for details.